

APPLICATION:

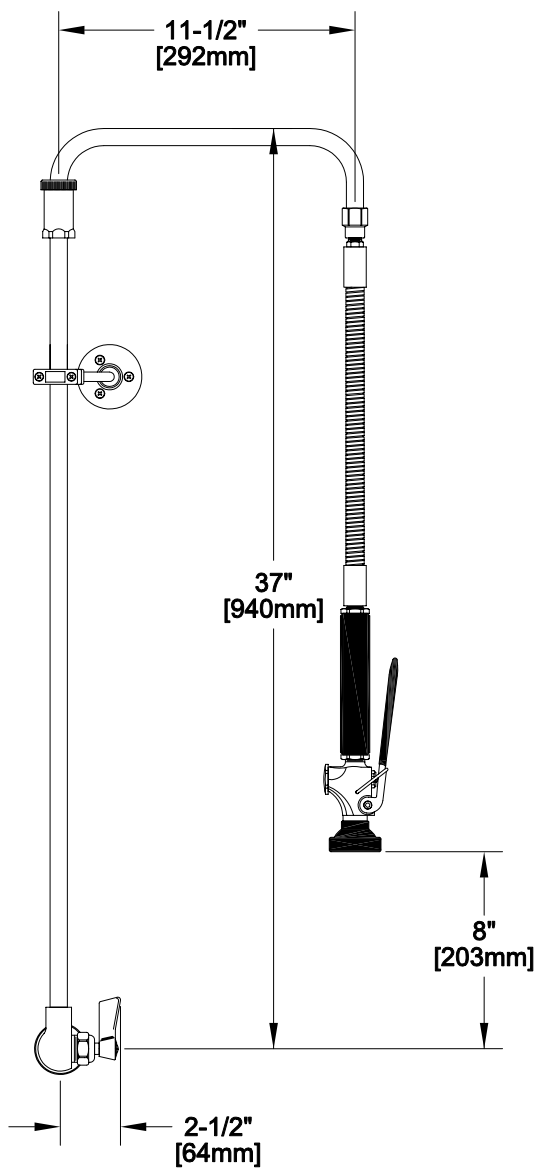
JOB NAME:

QUANTITY: ITEM NO.

PRODUCT NAME:
 PRE-RINSE, SWIVEL STYLE,
 BACKSPLASH MOUNT

SPECIAL CONFIGURATION
 CHECK BASE MODEL AND OPTIONS

MODEL:
 2711 ULTRA SPRAY VALVE NO WALL BRACKET
 2711-WB ULTRA SPRAY VALVE W/ WALL BRACKET



OPTIONS OR MODIFICATIONS:

SUPPLY LINES (24" OR 36") CIRCLE LENGTH
 ADD-ON FAUCET (6", 8", 10", 12", 14", 16") CIRCLE
 IN-LINE DUAL CHECK VALVE
 PIPE HOOK
 BRUSH
 NIPPLES
 ELBOWS
 HANDLES (CROSS OR WRIST) CIRCLE STYLE
 VANDAL RESISTANT KIT
 OTHER _____

FEATURES

CONTROL VALVE

- * SINGLE WALL MOUNT
- * STEM - RIGHT HAND
- * SWIVELLING SEAT DISKS
- * HOT AND COLD INDEX BUTTONS
- * STAINLESS STEEL SEATS
- * STAINLESS STEEL SEAT SCREWS
- * STAINLESS STEEL HANDLE SCREWS

HOSE

- * 15-1/2" LENGTH
- * STAINLESS STEEL END FITTINGS
- * STAINLESS STEEL EXTERNAL JACKET
- * 3-PLY FIBER REINFORCED INTERNAL RUBBER HOSE

ULTRA SPRAY VALVE

- * LOWEST ENERGY USER - 1.15 GPM @ 60 PSI
- * CLEANS FASTER - TEST PROVEN
- * ENGINEERED TO LAST - NO 'O' RINGS TO LEAK
- * INTERCHANGEABLE - FITS ALL BRANDS

SYSTEM LIMITS

- * TEMP: 40°F MIN. TO 140°F MAX.
- * PRESSURE: 200 PSI MAX. STATIC

SHIPPING WEIGHT

- * 10.0 LBS

ROUGH-IN:

